

Magnetic Stripe Reader/Writer



MSR106 Series

- Read/write magnetic stripe cards conform to ISO 7811
- Read/write magnetic stripe passbook conforms to ISO 8484
- Manual swipe read/write with RS-232 interface
- Read high or low coercivity magnetic stripes (300 ~ 4000oe)
- Write low coercivity magnetic stripes (300 ~ 600oe)
- Write and verify data simultaneously in one swipe single, dual or triple track
- Full featured WIN98/2000/XP utility demo program
- Programmable data format
- CE, FCC certified



MSR206 Series

- Read/write magnetic stripe cards conform to ISO 7811/1-6
- Read/write high & low coercivity magnetic stripes (300 ~ 4000oe)
- Write and verify data simultaneously in one swipe single, dual or triple track
- Manual swipe read/write with RS-232 or USB interface
- Write high or low coercivity magnetic stripes
- Full featured WIN98/2000/XP utility demo program
- Programmable data format
- CE, FCC certified

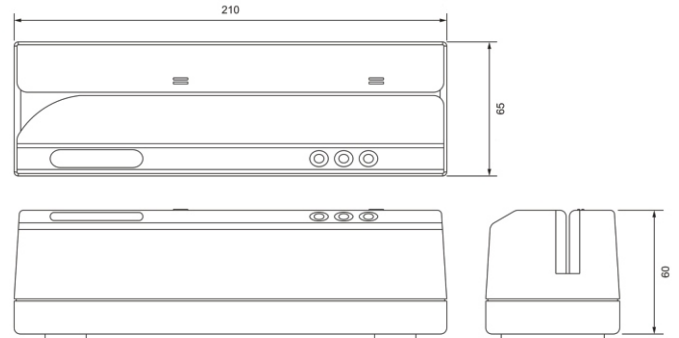
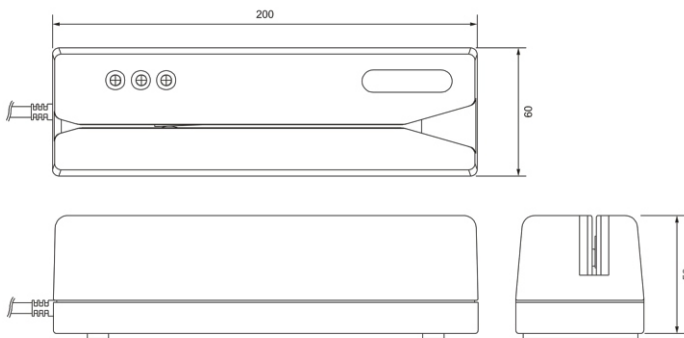
Magnetic Stripe Reader/Writer



MSR106



MSR206



Specifications			
Model	MSR106		
Electrical			
Power Requirement	+9VDC ± 10%		
Power Consumption	0.5A max.		
	100mA plus for each writing track		
Power supply	External power adapter 9V/1.0A		
Interface	RS232		
Mechanical			
Body Material	PC 94V-0		
Dimensions	200L x 60W x 56H mm		
Weight	Approx. 1kg		
Card Handling Method	Manual swipe, uni-directional		
Environment			
Operation Temperature	-10°C to +55°C		
Storage Temperature	-30°C to +70°C		
Operation Humidity	10% to 85%		
Storage Humidity	10% to 90%		
Agency Approval	FCC class B, CE class B, UL, cUL		
Performance			
Read Card Format	Track 1	Track 2	Track 3
Bit Density	210 bpi	75/210 bpi	210 bpi
	Read/Write Track2 at 210 bpi for Pass Book		
Coercivity	Read 300 ~ 4000 Oe Mag. card		
	Write 300 ~ 600 Oe Mag. card		
Test Card Types	Standard Card	Jitter ± 15%	Amp.60%
Read Speed	5 ~ 55 ips	5 ~ 50 ips	5 ~ 50 ips
Write Speed	5 ~ 35 ips		
Write Jitter	Interval < ± 8%, sub-interval < ± 10%		
Card Thickness	0.76 mm to 1.2 mm		
Error Rate	Read < 0.5%, Write < 0.8%		
Magnetic Head Life	Min. 500K Swipes for both read/write head		

Specifications			
Model	MSR206		
Electrical			
Power Requirement	+24VDC ± 5%		
Power Consumption	2A max.		
	600mA plus for each writing track		
Power supply	External power adapter 24V/2.5A		
Interface	RS232, USB		
Mechanical			
Body Material	ABS 94V-0		
Dimensions	210L x 65W x 60H mm		
Weight	Approx. 1.5kg		
Card Handling Method	Manual swipe, uni-directional		
Environment			
Operation Temperature	-10°C to +55°C		
Storage Temperature	-30°C to +70°C		
Operation Humidity	10% to 85%		
Storage Humidity	10% to 90%		
Agency Approval	FCC class B, CE class B, UL, cUL		
Performance			
Read Card Format	Track 1	Track 2	Track 3
Bit Density	210 bpi	75/210 bpi	210 bpi
	Read/Write 300 ~ 4000 Oe Magnetic card		
Coercivity	Read/Write 300 ~ 4000 Oe Magnetic card		
Test Card Types	Standard Card	Jitter ± 15%	Amp.60%
Read Speed	5 ~ 55 ips	5 ~ 50 ips	5 ~ 50 ips
Write Speed	5 ~ 30 ips		
Write Jitter	Interval < ± 10%, sub-interval < ± 12%		
Card Thickness	0.76 mm to 1.2 mm		
Error Rate	Read < 0.5%, Write < 0.8%		
Magnetic Head Life	Min. 1000K Swipes for both read/write head		

UIC Headquarters
Uniform Industrial Corp. Taiwan
 1F, No. 1, Lane 15, Chih Chiang St.,
 Tu Cheng City, Taipei Hsien,
 Taiwan, R.O.C.
 TEL: +886-2-2268-7075
 FAX: +886-2-2269-5686
 VC ISDN: +886-2-8076-0126
 VC IP Line: 60.248.204.230
 E-Mail: info@uniform.com.tw
 URL: www.uicworld.com

UIC USA
Uniform Industrial Corp. USA
 47709 Fremont Blvd.,
 Fremont, CA 94538-6512, USA.
 TEL: +1-510-438-6799
 FAX: +1-510-438-6790
 E-Mail: info@uicusa.com
 URL: www.uicusa.com

UIC Europe
Uniform Industrial Corp.
 Suite 2.7 Discovery House,
 Gemini Crescent, Technology Park,
 Dundee, DD2 1SW, United Kingdom
 TEL: +44-1382-561162
 FAX: +44-1382-561163
 E-Mail: info@uiceurope.com
 URL: www.uicworld.com